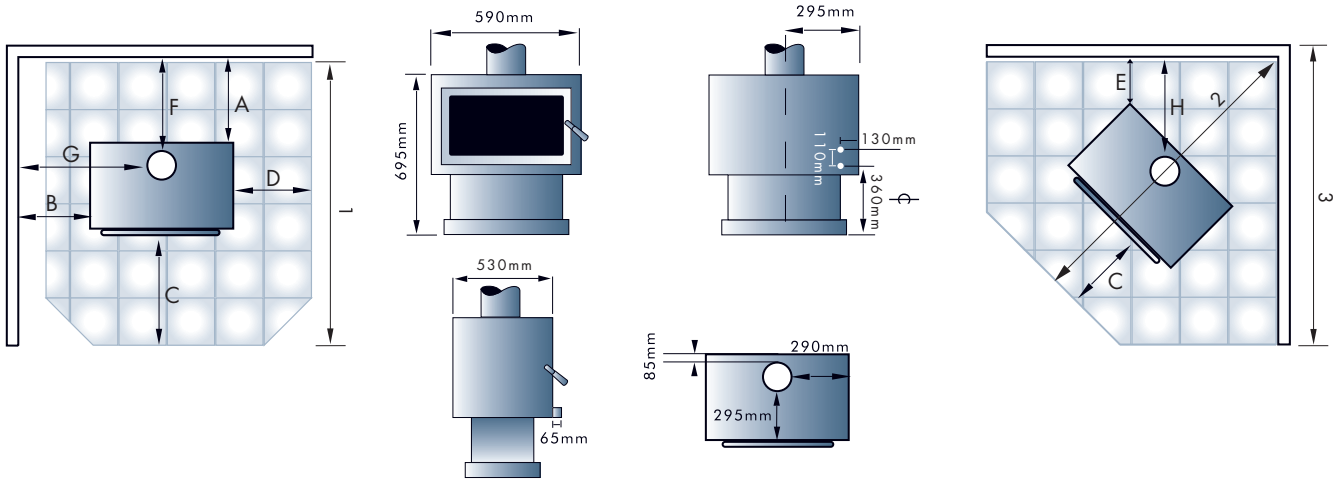




# Ar'dore RURAL MODEL

## SPECIFICATIONS

This is not a 'Clean Air' woodfire model. This woodfire can only be installed into properties of two hectares or more.



Minimum Clearance to Combustibles in Millimetres AS/NZS2918 : 2001

New Zealand	A	B	C	D	E	F	G	H
With double flue shield	100	300	300	110	75	180	515	315
Without flue shield	325	400	300	110	200	410	615	440

Floor Protector Dimensions

1	2	3	
930	1240	1090	

Note: The Ar'dore must be installed with a Milan Double Stainless Flue Shield

### Floor Protector Requirements

The Milan Ar'dore rural model requires a floor protector of non-combustible materials. The floor protector must extend under the heater, a minimum of 300mm in front of the door glass, and 110mm to either side of the heater. The minimum floor protector size for a wall setting installation is 930mm deep and 810mm wide.

### Seismic Requirements

The appliance and the floor protector shall be mechanically fixed to the floor itself. A provision has been made at the rear of the pedestal to fix through the two holes through floor protector and floor.

### Clearance Requirements

The Milan Ar'dore rural model, when installed according to these instructions, complies with the provisions of AS/NZS2918 : 2001 Appendix B - "Thermal Testing of Installation Clearances". The minimum clearances to combustibles may be reduced if the combustibles are shielded with an approved shielding material. Refer to AS/NZS2918 : 2001 for suitable shielding materials and appropriate clearance reduction factors.