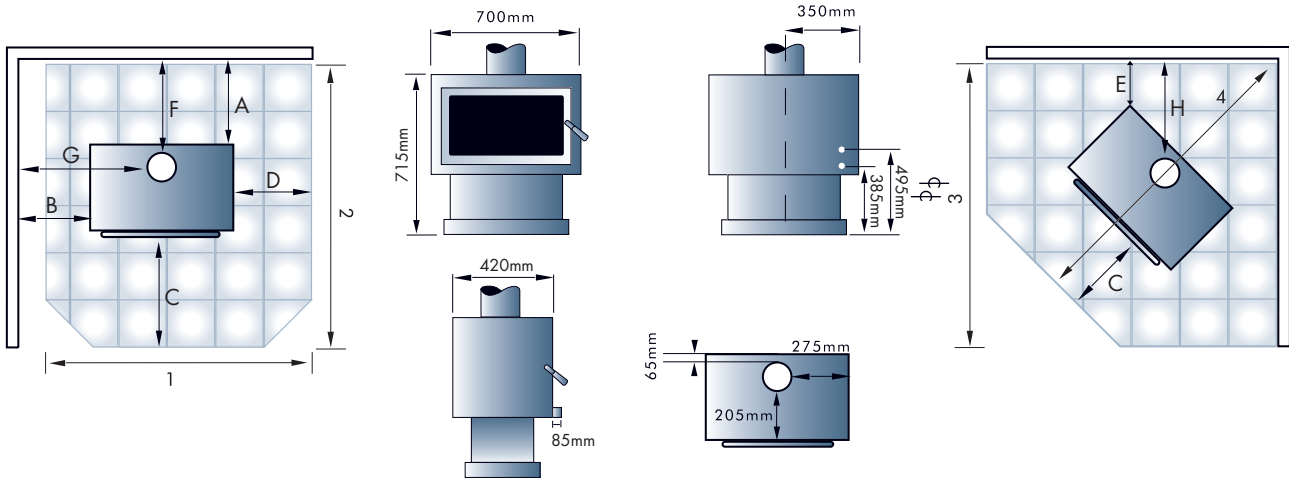




The Milano RURAL MODEL

SPECIFICATIONS

This is not a 'Clean Air' woodfire model. This woodfire can only be installed into properties of two hectares or more.



Minimum Clearance to Combustibles in Millimetres AS/NZS2918 : 2001

New Zealand	A	B	C	D	E	F	G	H
With flue shield	100	350	300	115	75	165	625	350
Without flue shield	375	350	300	115	200	445	625	475

Floor Protector Dimensions

1	2	3	4
930	915	1080	1175
930	1090	1210	1350

Floor Protector Requirements

The Milan Milano rural model requires a floor protector of non-combustible materials. The floor protector must extend under the heater, a minimum of 300mm in front of the door glass, and 115mm to either side of the heater. The minimum floor protector size for a wall setting installation is 820mm deep and 930mm wide.

Seismic Requirements

The appliance and the floor protector shall be mechanically fixed to the floor itself. A provision has been made at the rear of the pedestal to fix through the two holes through floor protector and floor.

Clearance Requirements

The Milan Milano rural model, when installed according to these instructions, complies with the provisions of AS/NZS2918 : 2001 Appendix B - "Thermal Testing of Installation Clearances". The minimum clearances to combustibles may be reduced if the combustibles are shielded with an approved shielding material. Refer to AS/NZS2918 : 2001 for suitable shielding materials and appropriate clearance reduction factors.