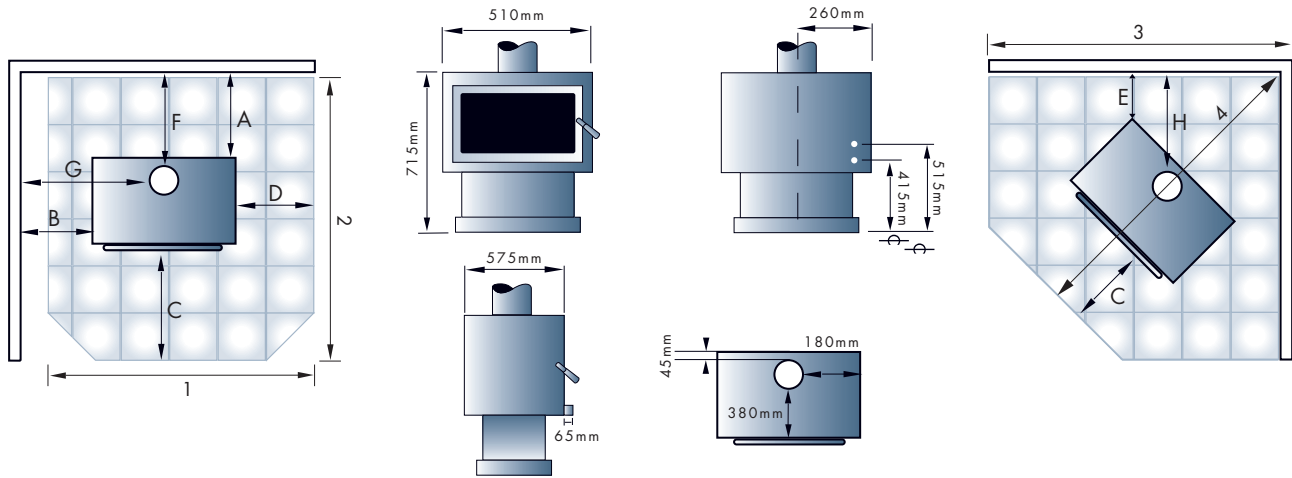




# Tuscany RURAL MODEL

## SPECIFICATIONS

This is not a 'Clean Air' woodfire model. This woodfire can only be installed into properties of two hectares or more.



Minimum Clearance to Combustibles in Millimetres AS/NZS2918 : 2001

New Zealand	A	B	C	D	E	F	G	H
With flue shield	200	750	300	175	350	245	930	550
Without flue shield	600	800	300	175	500	645	980	700

Floor Protector Dimensions

1	2	3	4
860	1075	1330	1620
860	1475	1475	1825

### Floor Protector Requirements

The Milan Tuscany rural model requires a floor protector of non-combustible materials. The floor protector must extend under the heater, a minimum of 300mm in front of the door glass, and 175mm to either side of the heater. The minimum floor protector size for a wall setting installation is 1075mm deep and 860mm wide.

### Seismic Requirements

The appliance and the floor protector shall be mechanically fixed to the floor itself. A provision has been made at the rear of the pedestal to fix through the two holes through floor protector and floor.

### Clearance Requirements

The Milan Tuscany rural model, when installed according to these instructions, complies with the provisions of AS/NZS2918 : 2001 Appendix B - "Thermal Testing of Installation Clearances". The minimum clearances to combustibles may be reduced if the combustibles are shielded with an approved shielding material. Refer to AS/NZS2918 : 2001 for suitable shielding materials and appropriate clearance reduction factors.